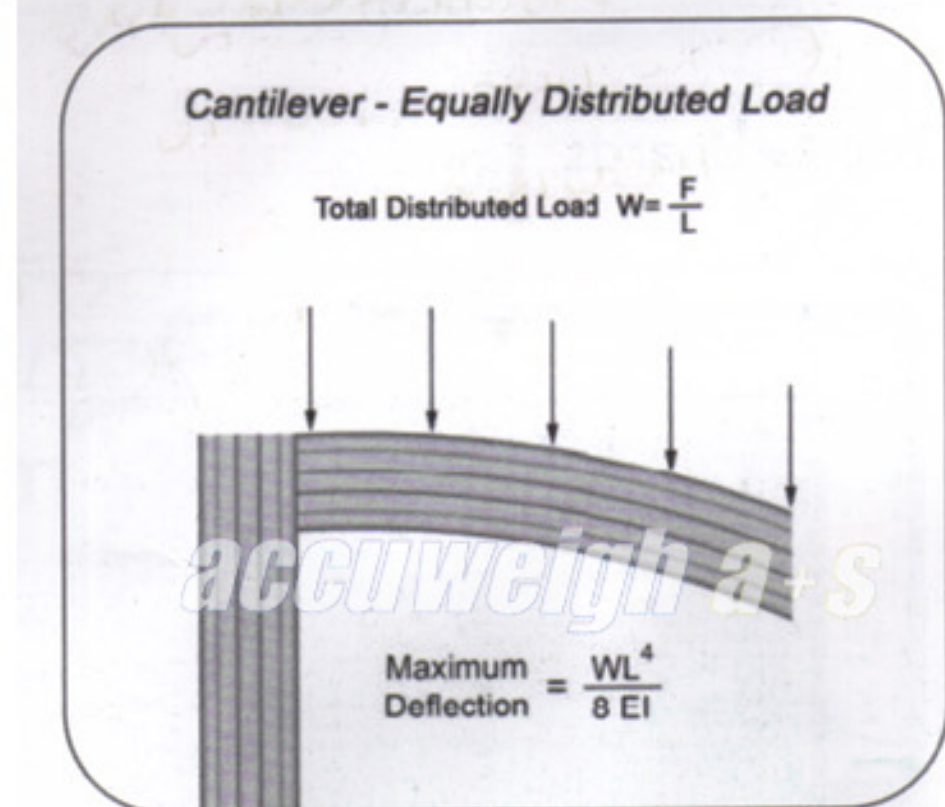
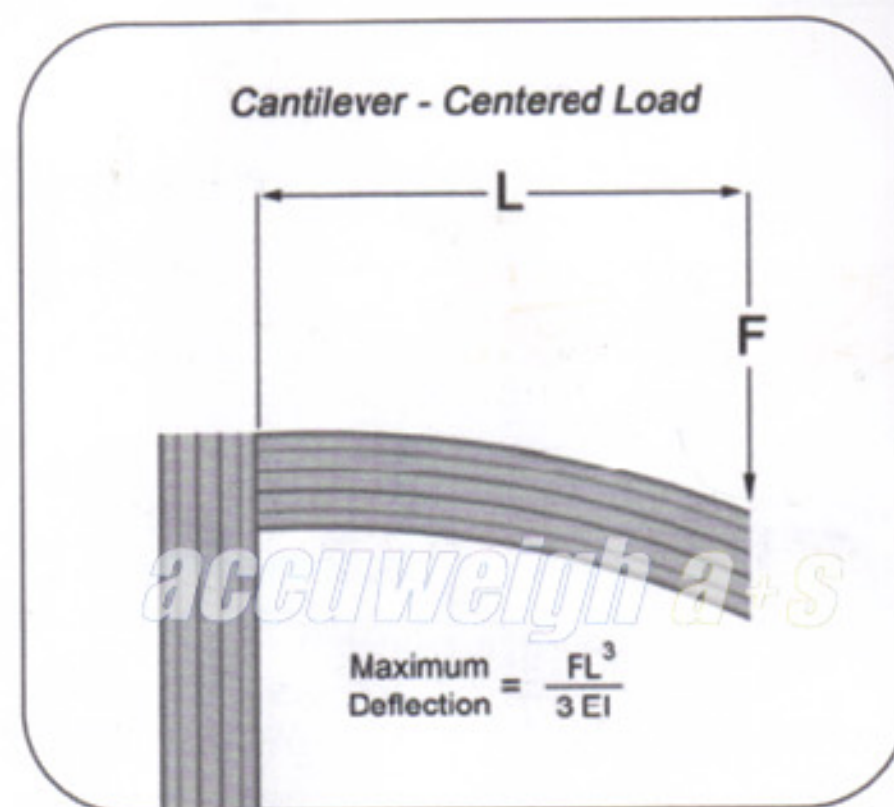
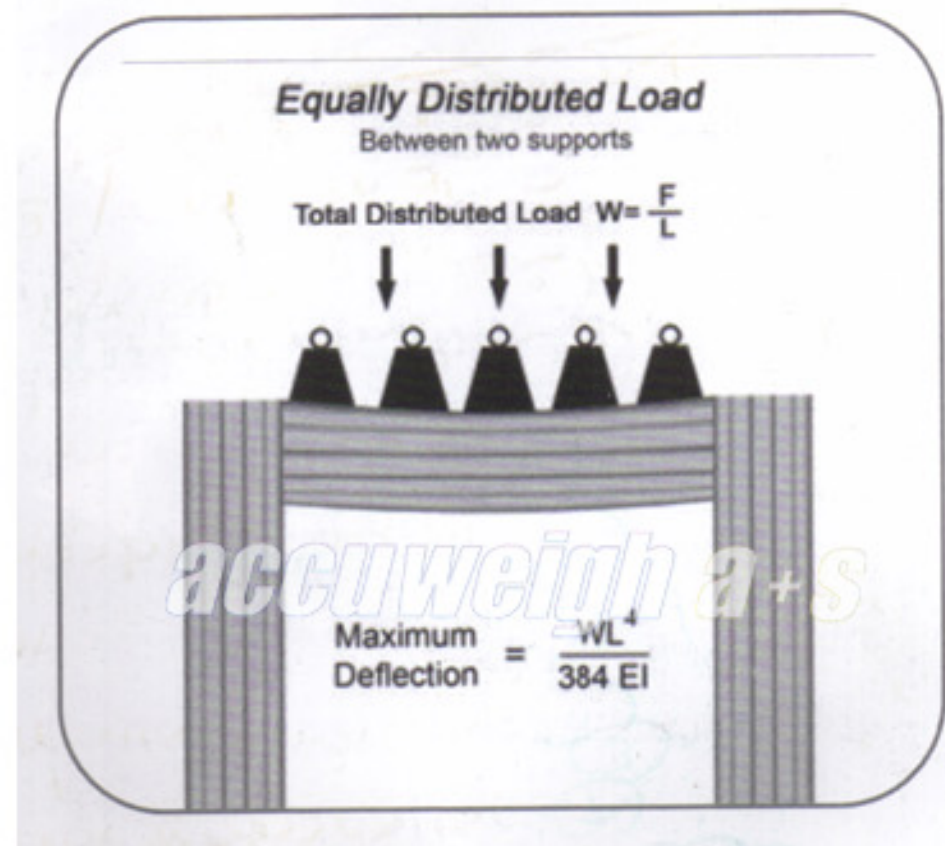
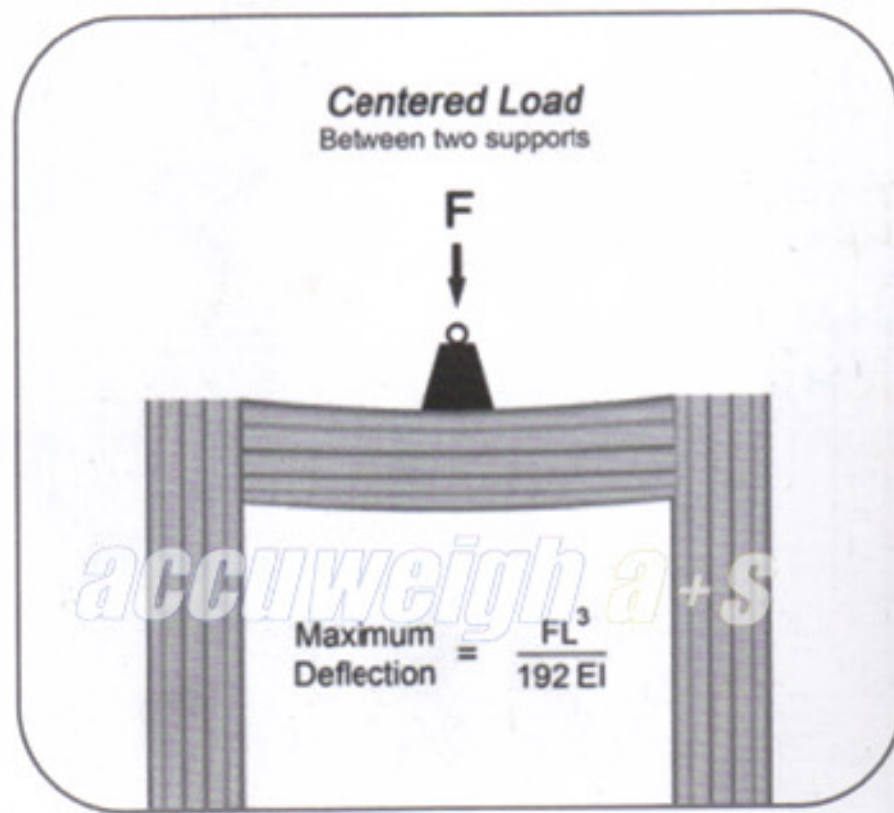
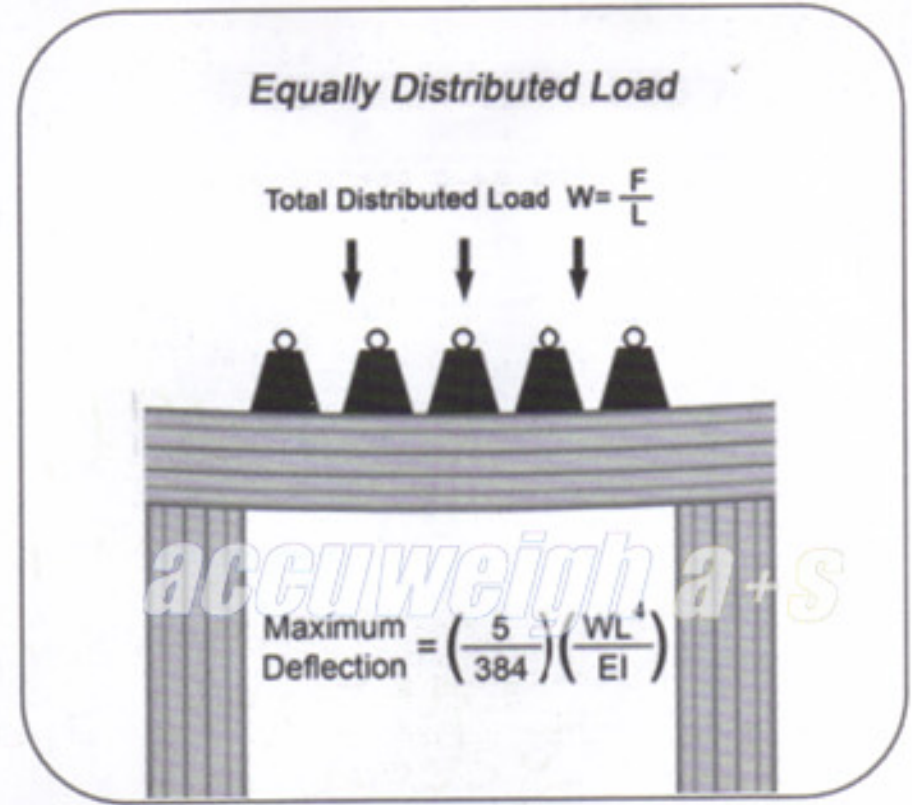
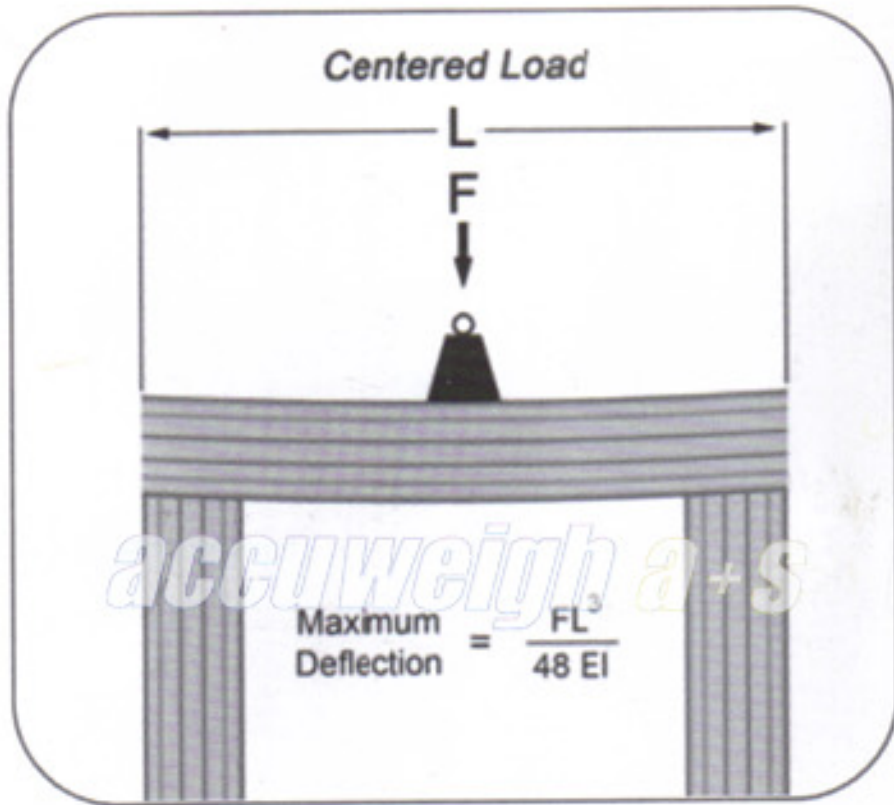


Extrusion Deflection Information



**Legend**

**L** = length of extrusion (mm)

**E** = modulus of elasticity (70,000 N / mm<sup>2</sup>)

**I** - moment of inertia (given in extrusion tables for each profile in catalog) cm<sup>4</sup>

**W** = weight of load (N)

**D** = deflection (mm)